

4000 Electric

Make your navigation greener

Your electric motor has never been so easy to control

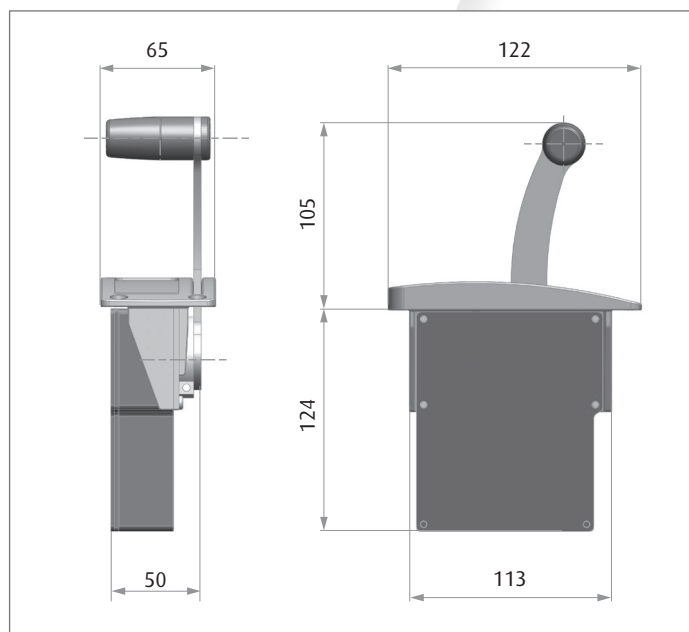
Enjoy the new Flexball electronic control



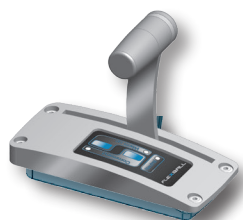
- Suitable for all types of electric motors
- Easy mounting
- Reliable
- Precise
- Simple
- Reactive



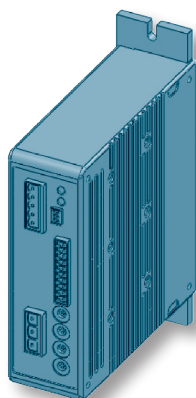
DIMENSIONS



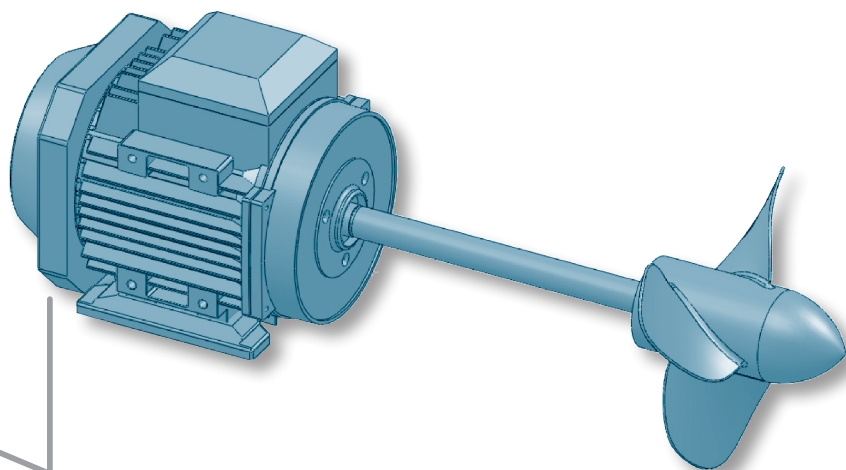
4000 ELECTRIC



MOTOR CONTROLLER



ELECTRIC MOTOR



- Power supply from 9 to 32 Vdc
- Voltage, current or CANBus signals towards the motor controller
- 3 relay output free programmable, typically used for Forward, Reverse and Neutral commands

Flexball Italiana S.r.l.

Via San Luigi 13/A - 10043 Orbassano (To) - Italy

Tel 0039.011 90.38.900 - Fax 0039.011 90.38.747

info@flexballitaliana.com

www.flexballitaliana.com**FLEXBALL**
ITALIANA

WR CONTROLS GROUP

