

# 4200 Electric

Make your navigation greener

Your electric motor has never been so easy to control

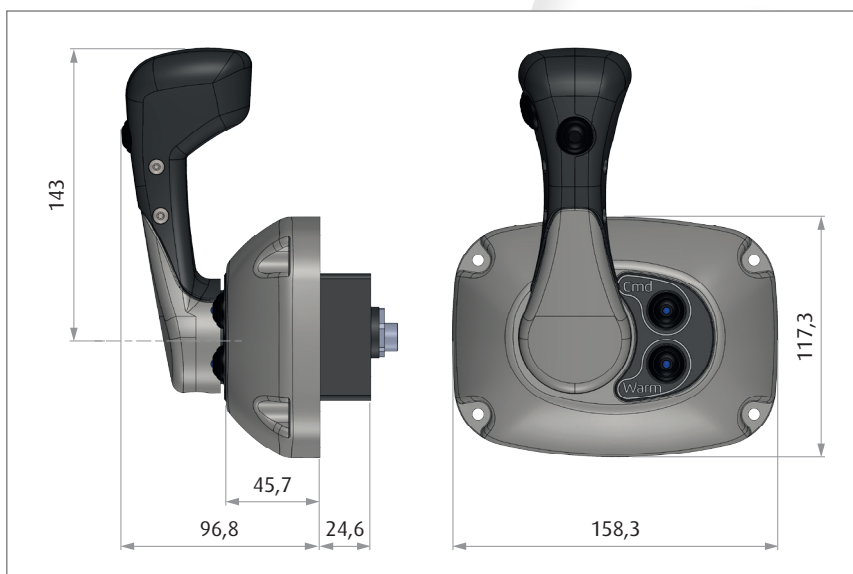
Enjoy the new Flexball electronic control



- Suitable for all types of electric motors
- Easy mounting
- Reliable
- Precise
- Simple
- Reactive



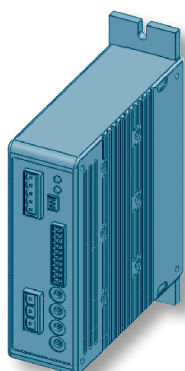
## DIMENSIONS



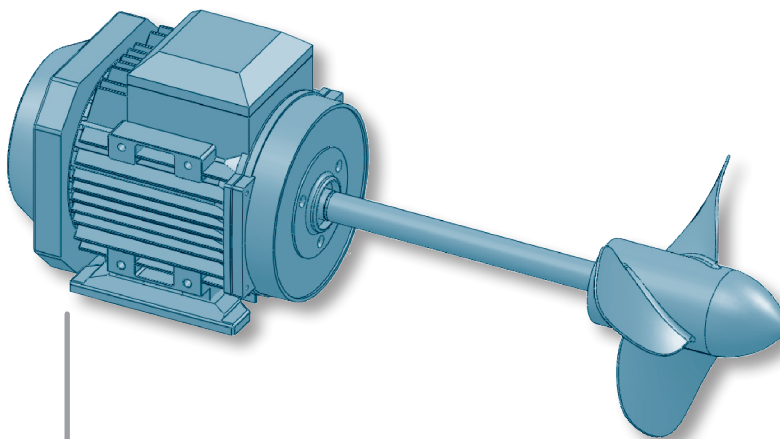
## 4200 ELECTRIC



## MOTOR CONTROLLER



## ELECTRIC MOTOR



- Power supply from 9 to 32 Vdc
- Voltage, current or CANBus signals towards the motor controller
- 3 relay output free programmable, typically used for Forward, Reverse and Neutral commands

**Flexball Italiana S.r.l.**

Via San Luigi 13/A - 10043 Orbassano (To) - Italy

Tel 0039.011 90.38.900 - Fax 0039.011 90.38.747

info@flexballitaliana.com

[www.flexballitaliana.com](http://www.flexballitaliana.com)**FLEXBALL**  
ITALIANA

WR CONTROLS GROUP

