

E95

Marine application

This is a series of control levers with robust and essential design, based on rack and pinion mechanism, are indicated for heavy duty applications. Control levers Series E95 are suitable to command winches and hydraulic pumps



TECHNICAL FEATURES

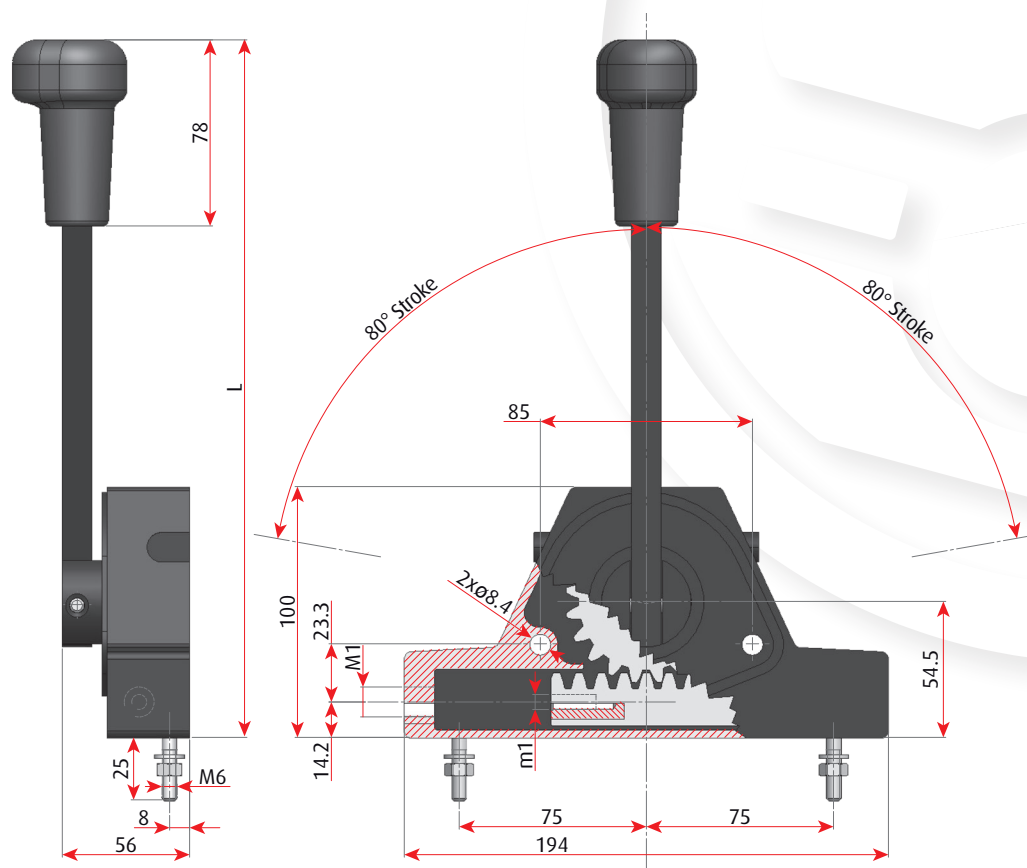
It is possible to connect either push-pull or Flexball cables.
Different way of fixing are available: either wall or deck mounting.

- Maximum stroke: 85 mm
- Maximum working load: 120 kg
- Lever ratio: 7,3:1.

It is available with or without adjustable friction, with fix or oscillating command lever.



DIMENSIONS

**Flexball Italiana S.r.l.**

Via San Luigi 13/A - 10043 Orbassano (To) - Italy

Tel 0039.011 90.38.900 - Fax 0039.011 90.38.747

info@flexballitaliana.com

www.flexballitaliana.com

FLEXBALL
ITALIANA

WR CONTROLS GROUP

