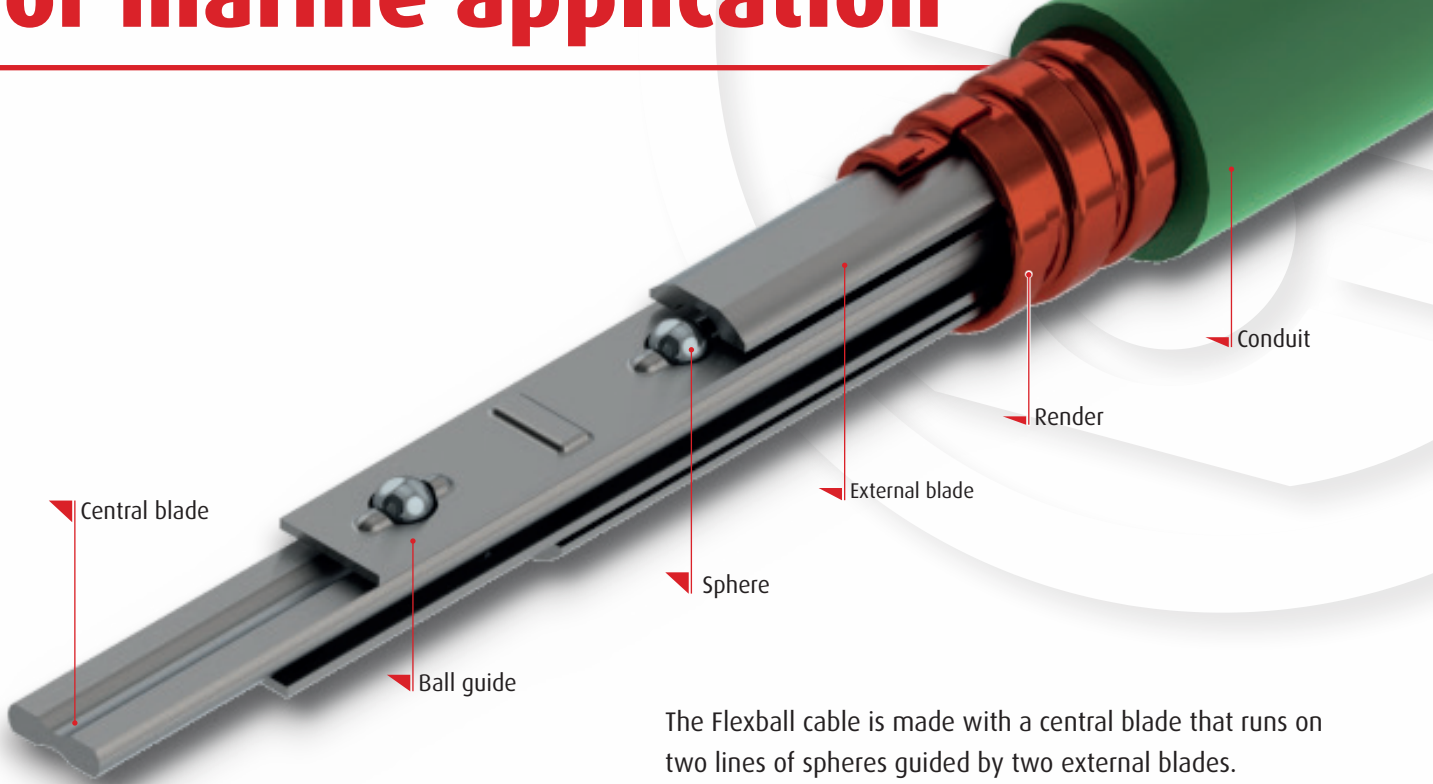


# FLEXBALL CABLES

## For marine application



The **Flexball cable**, recognizable from the green colour of the plastic cover, is an extremely flexible and sliding cable. It has a very robust and reliable construction, with very high performances. If mounted properly, a Flexball cable can work "for ever".

Flexball cables are mainly used on boat in which long distances have to be covered, high loads have to be transmitted and the reliability is a "key word".

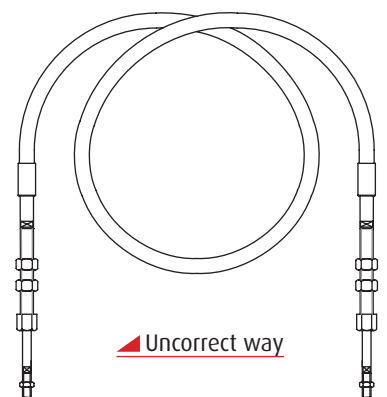
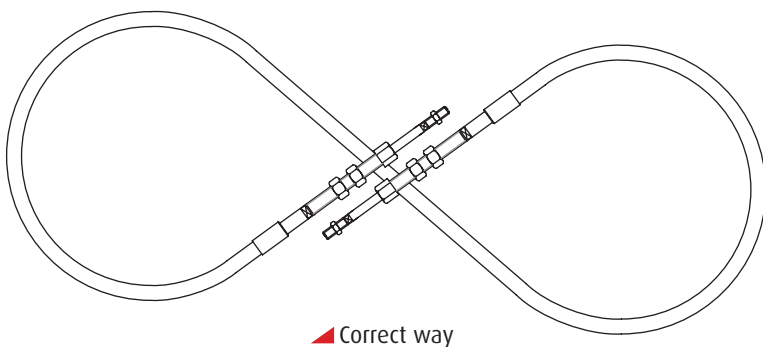
The Flexball cable is made with a central blade that runs on two lines of spheres guided by two external blades.

Materials used change according to the application: for industrial application terminals are in steel zinc while for marine applications terminals are either made with brass or stainless steel. Internal blades are stainless steel AISI304L for any kind of applications.

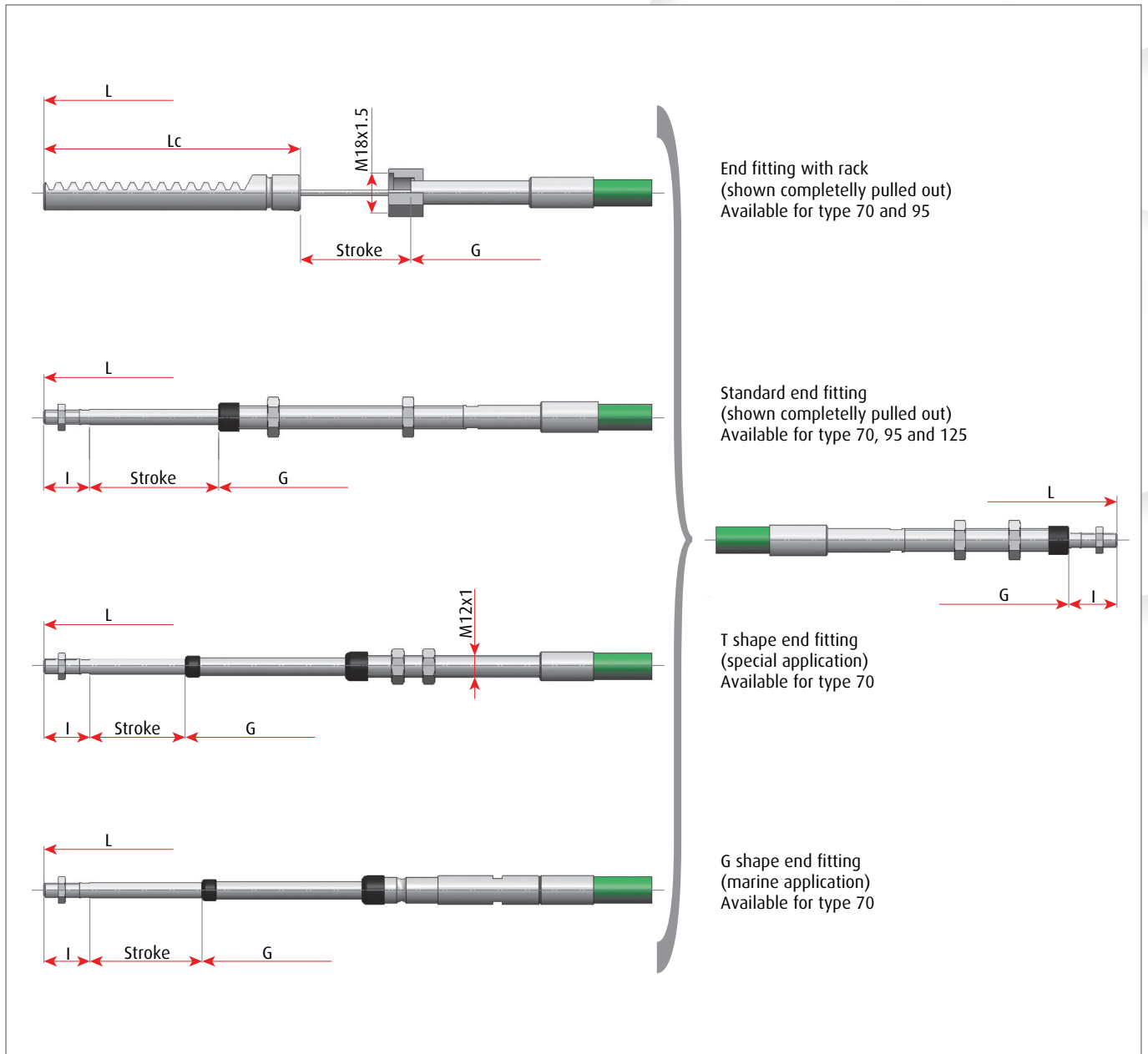
Flexball cables are used in any kind of special applications. If this is the case, please feel free to contact our technical department.

For a proper mounting, look at our "Mounting instructions".

The **Flexball cable** is delivered in a proper box and bent with an "8" shape to respect its minimum bending radius. Once received, it should be opened and stored in a straight line. If not possible, we suggest to leave it in the box like you have received it. Flexball cable must not be stored in a circular way, otherwise it can be seriously damaged.



The **Flexball** cables are available with several types of end fittings to fit the different application requirements.

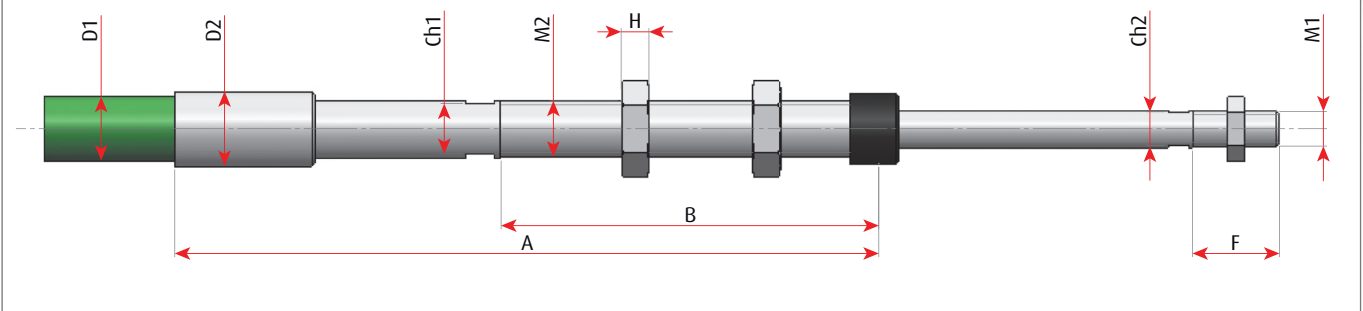


**PRODUCT RANGE AND APPLICATION**

The Flexball cable is available in different sizes, from type 70 up to type 125.

Type 70 is commonly used for throttle and gearbox type 95 for gearbox in case of very long route and heavy duty application like winch and hydrostatic pump and type 125 is commonly used for steering system.

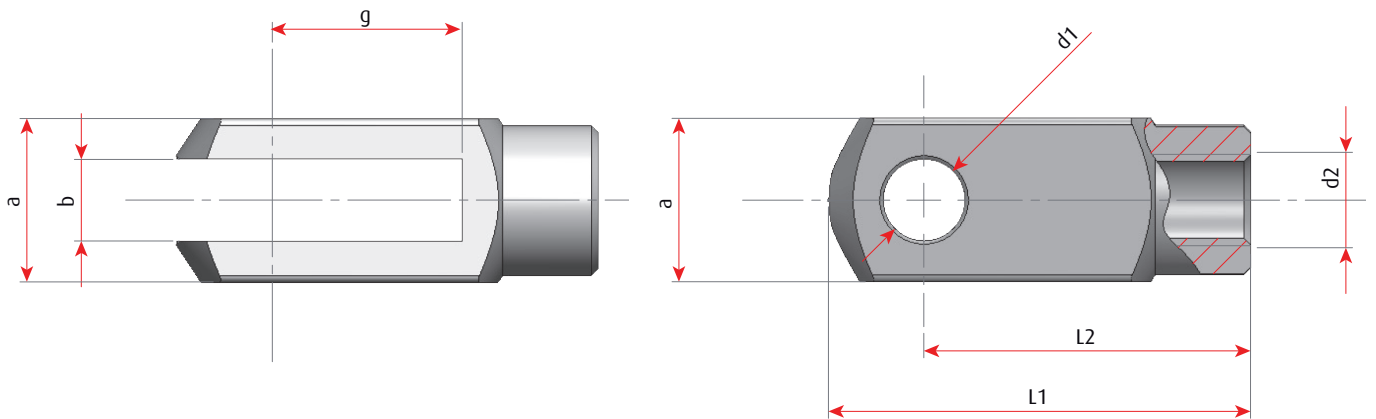
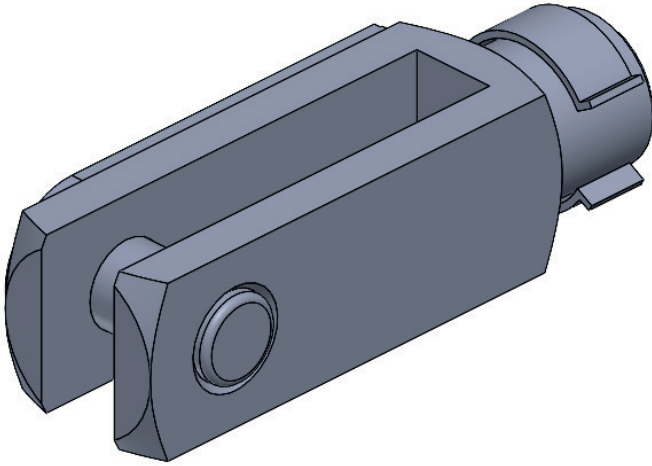
**STANDARD FLEXBALL END FITTING DIMENSIONS**



Cable type	Stroke	A	B	F	H	I	Ch1	Ch2	D1		D2		M1	M2	LC	Rack module (mm)	Push load (N)	Pull load (N)	Bending radius (mm)	Weight per meter (gr)	E <sub>c</sub>		
									AN*	ACP*	AN	ACP											
70	50	142	55	30	8	37	11	6	11	12.8	13	15	M7x1(M6x1)	M12x1	126	1.5	1550	2800	120	320	0.18		
	70	157	70																			154	
	100	187	100																			178	600
	150	237	150																			225	250
	200	292	170																			276	
95	50	163	70	30	8	37	14	9	14.3	16.5	16	19	M10x1.5	M16x1.5	126	1.5	2700	5000	140	518	0.15		
	70	183	90																			154	
	100	213	120																			178	1400
	150	263	170																			225	600
	200	313	220																			276	
125	50	195	70	35	9	45	17	11	17	21	20	24	M12x1.5	M18x1.5	-	1.5	5300	10000	200	827	0.05		
	70	215	90																			295	
	100	245	120																			295	2500
	150	295	170																			345	1200
	200	345	210																				

# ACCESSORIES

## CLEVIS

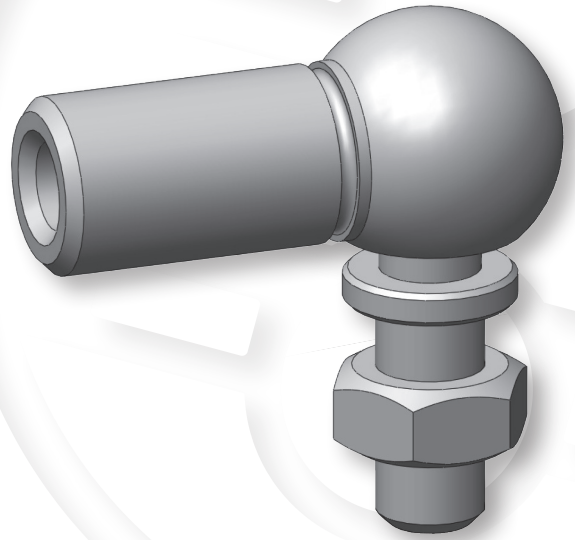
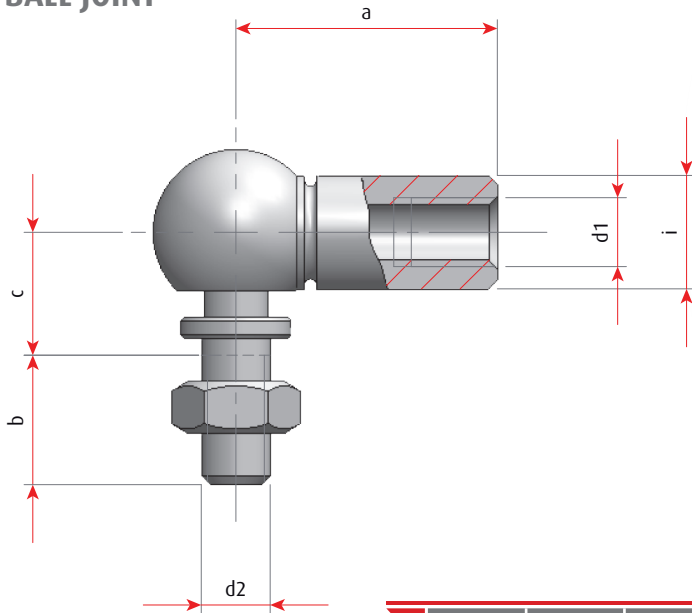


Type	B	d1	d2	g	a	L1	L2	Clevis code	Set Code (clevis + pin)
6x24	6	6	M6	32	16	58	48	D-0099.01.04.04	0-0099.01.00.11
6x24	6	6	M7	32	16	58	48	D-0099.01.04.05	0-0099.01.00.12
10x40	10	10	M10x1,5	40	20	72	60	D-0099.01.08.03	0-0099.01.00.27
12x48	12	12	M12x1,5	48	24	72	86	D-0099.01.09.02	0-0099.01.00.30

**Note:**

all the clevis listed here above are in brass.

### BALL JOINT

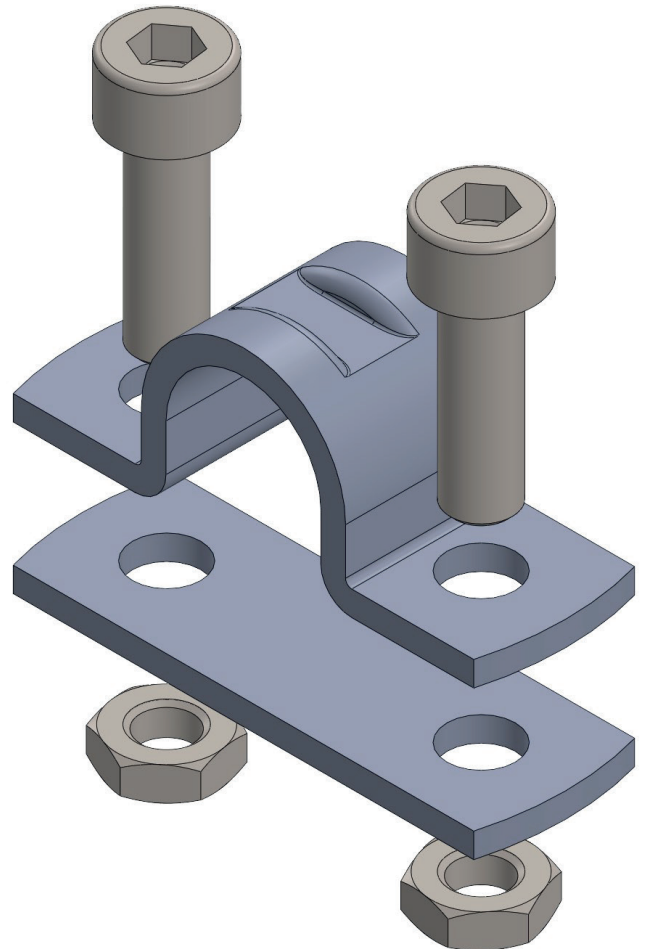
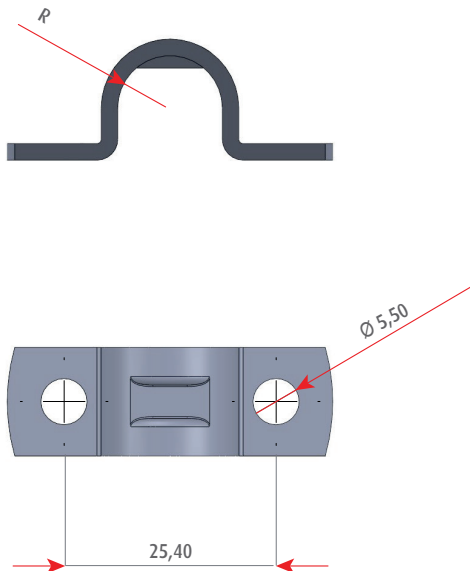


Type	a	i	d1	d2	c	b	Code
AS10	25	12	M6	M6	11	8	D-0099.04.03.00
AS13	30	14	M6	M8	13	12	D-0099.04.07.02
	30	14	M7	M7	13	12	D-0099.04.06.00
	30	14	M7	M8	13	12	D-0099.04.07.01
AS16	35	16	M10	M10	16	14	D-0099.04.09.00

**Note:**

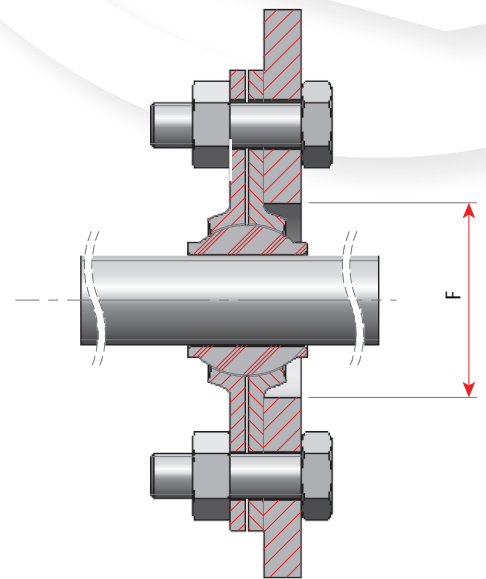
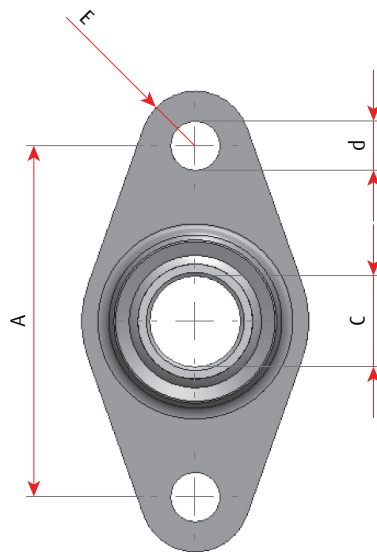
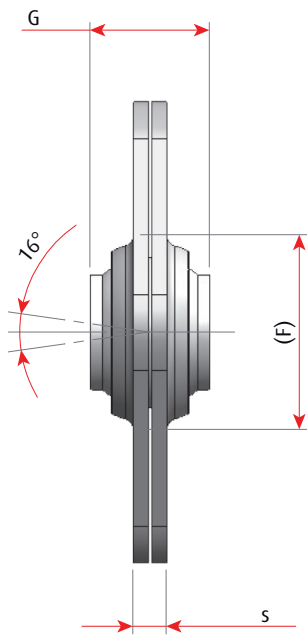
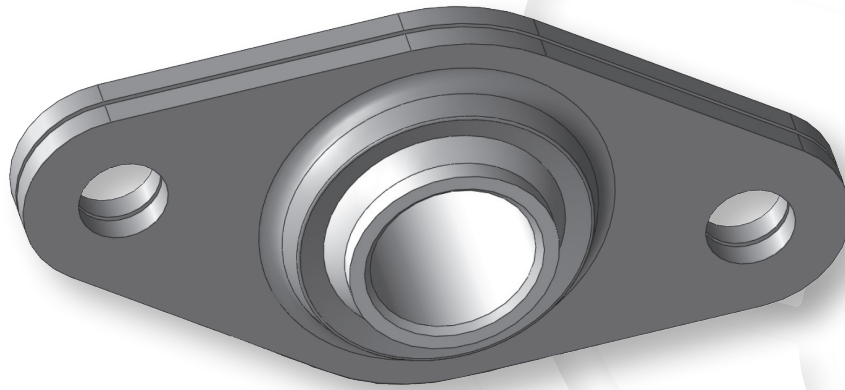
all the ball joints listed here above are in steel zinc coated.

### CLAMP



Type of cable	R	Set Code (clamp + bracket + 2 screws + 2 nuts)
70 (G shape)	12,5	0-0099.11.06.02

**BULKHEAD SWIVEL**



**Note:**

"F" is the dimension of the hole that has to be drilled on the bracket where the bulkhead swivel will be fixed. The above picture shows the correct mounting of the bulkhead against the bracket.

Type	A	b	C	F	G	s	Ch	Material	Code
70	40	6.2	12.2	25	16	4	17	Brass	0-0099.03.00.05
95	52	8.2	16.2	34	22	5	25	Brass	0-0099.03.00.08
125	56	8.2	18.2	36	25	5	27	Brass	0-0099.03.00.10

**Flexball Italiana S.r.l.**

Via San Luigi 13/A - 10043 Orbassano (To) - Italy

Tel 0039.011 90.38.900 - Fax 0039.011 90.38.747

info@flexballitaliana.com

www.flexballitaliana.com

**FLEXBALL**  
ITALIANA

WR CONTROLS GROUP

