





PUSH-PULL CABLES

For marine engine and gearbox

Flexball offers a full range of push-pull cables both for the pleasure boats and for the professional boats sector. All cables are supplied with either brass or stainless steel terminals.

| Type | Code | Stroke (mm) | Thread 1 st end | Thread 2 nd end | Conduit diameter | Application |
|--|-----------|-------------|----------------------------|----------------------------|------------------|-----------------------------------|
| E2 | E2-fff | 80 | 10/32 UNF | 10/32 UNF | 7 | Volvo Penta®: inboard, sterndrive |
|  | | | | | | |
| E3 | E3-fff | 80 | 10/32 UNF | 10/32 UNF | 8 | Volvo Penta®: inboard, sterndrive |
|  | | | | | | |
| E4 | E4-fff | 80 | 1/4X28 UNF | 1/4X28 UNF | 9,5 | Volvo Penta®: inboard, sterndrive |
|  | | | | | | |
| E6 | E6-mm.mmM | 80 | M6 | M6 | 9,5 | Special applications |
|  | | | | | | |

HOW TO ORDER

With the exception of E6 cables, which are used for special applications, the length of all the other cable is in feet.

To convert feet to meters multiply by 0.305 and round to the nearest quarter of a meter.

To convert meters to feet, divide by 0.305 and round up to next foot.

If for example we need to use a 4.5 meter cable, the length in feet is:

$$4.5 : 0.305 = 14.75$$

so, rounding to the next foot, the length to order is 15 feet.

For installations with outboard motors it is advisable to add 1 meter (3 feet) to the measured length; this will allow the proper movement of the engine.

The ordering code structure of the cable is as follows:

| | | | | | |
|---|---|---|---|---|---|
| E | x | - | f | f | F |
|---|---|---|---|---|---|

The parameters which must be filled into the table to specify the cable are x and ff:

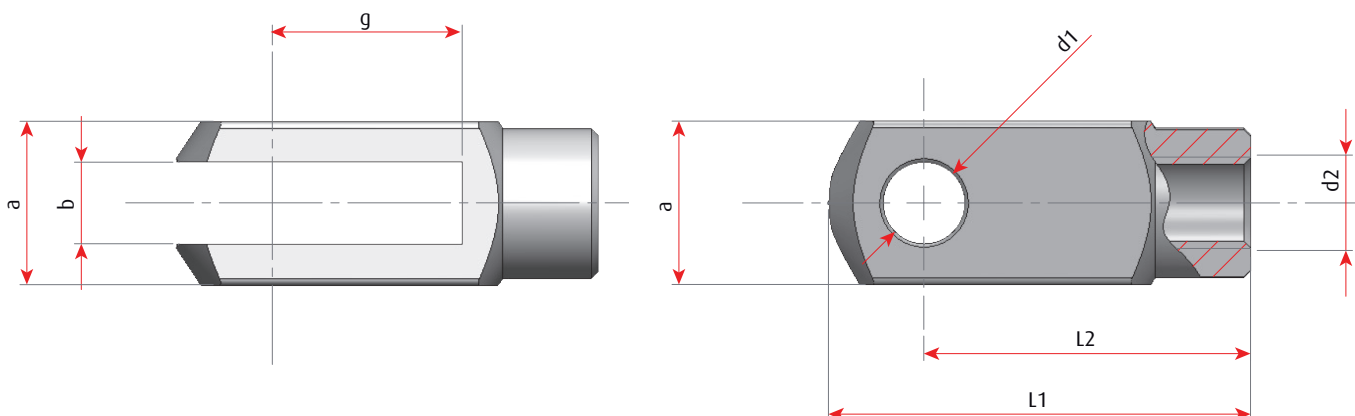
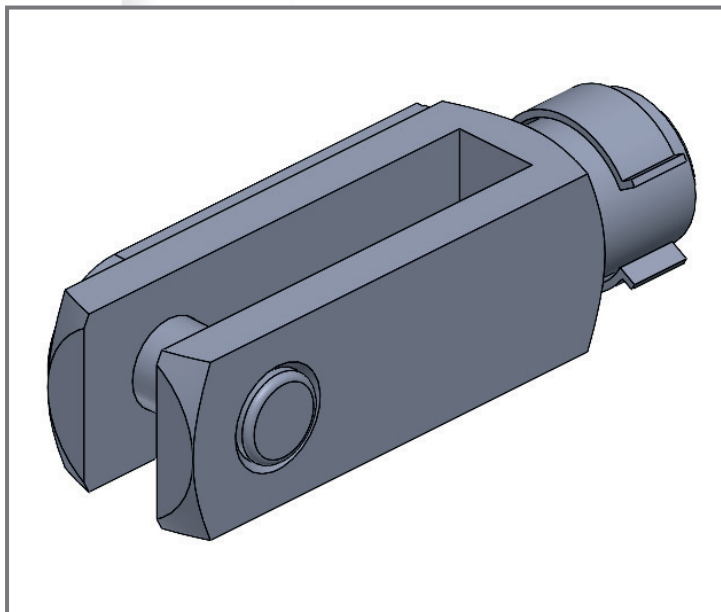
- x = 1,2,3,4, 5 identifies the type of cable
- ff is the cable length in feet

For example, if we order 13-feet cable type E5, the code is: E5-13F

ACCESSORIES

CLEVIS

To determine the right size of the fork, look at the dimension "M1" on the drawings and tables of Flexball, pull and push-pull cables.

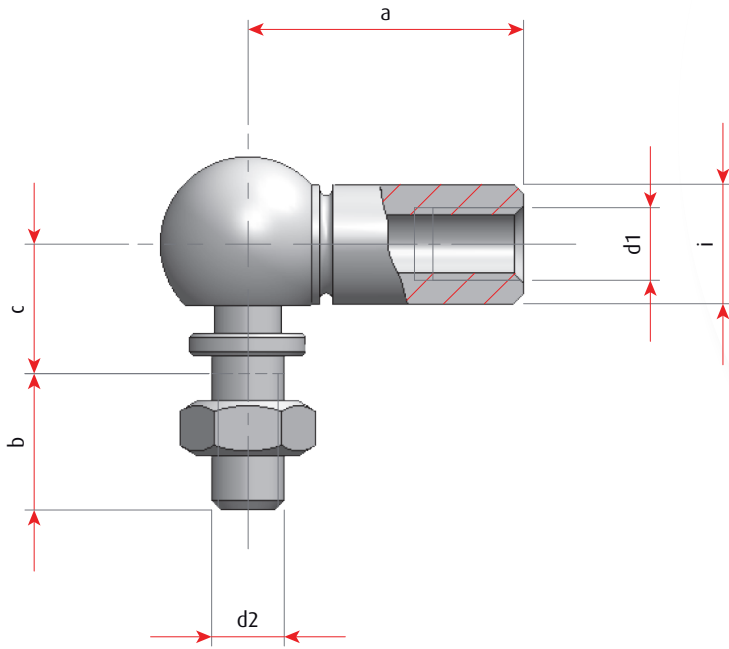


| Type | B | d1 | d2 | g | a | L1 | L2 | Clevis code | Set Code (clevis + pin) |
|------|---|----|--------|----|----|----|----|-----------------|-------------------------|
| 5x10 | 5 | 5 | M5 | 10 | 10 | 26 | 20 | D-0099.01.01.01 | 0-0099.01.00.01 |
| 5x20 | 5 | 5 | M5 | 20 | 10 | 36 | 30 | D-0099.01.02.01 | 0-0099.01.00.03 |
| 6x24 | 6 | 6 | 1/4x28 | 32 | 16 | 58 | 48 | D-0099.01.04.10 | 0-0099.01.00.00 |

Note:

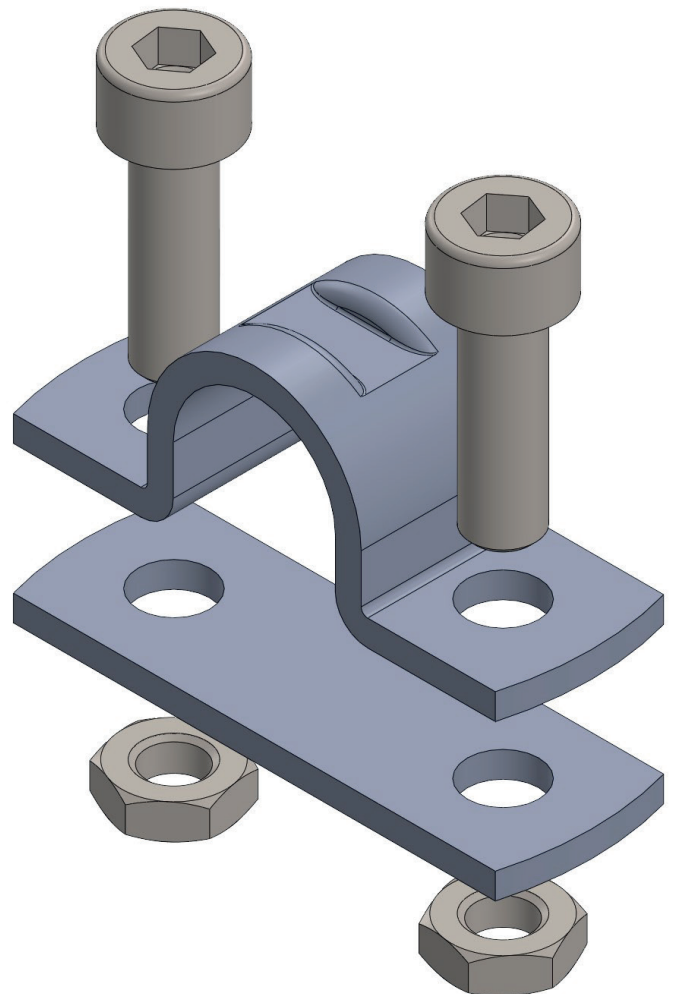
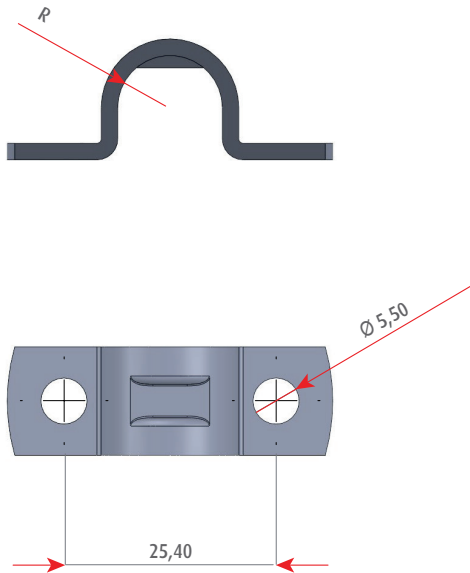
Accessories with thread M5 can be used on cables with rod thread 10/32 UNF

BALL JOINT



| Type | a | i | d1 | d2 | c | b | Code |
|------|----|----|----|----|---|---|-----------------|
| AS8 | 22 | 10 | M5 | M5 | 9 | 7 | D-0099.04.01.00 |

CLAMP

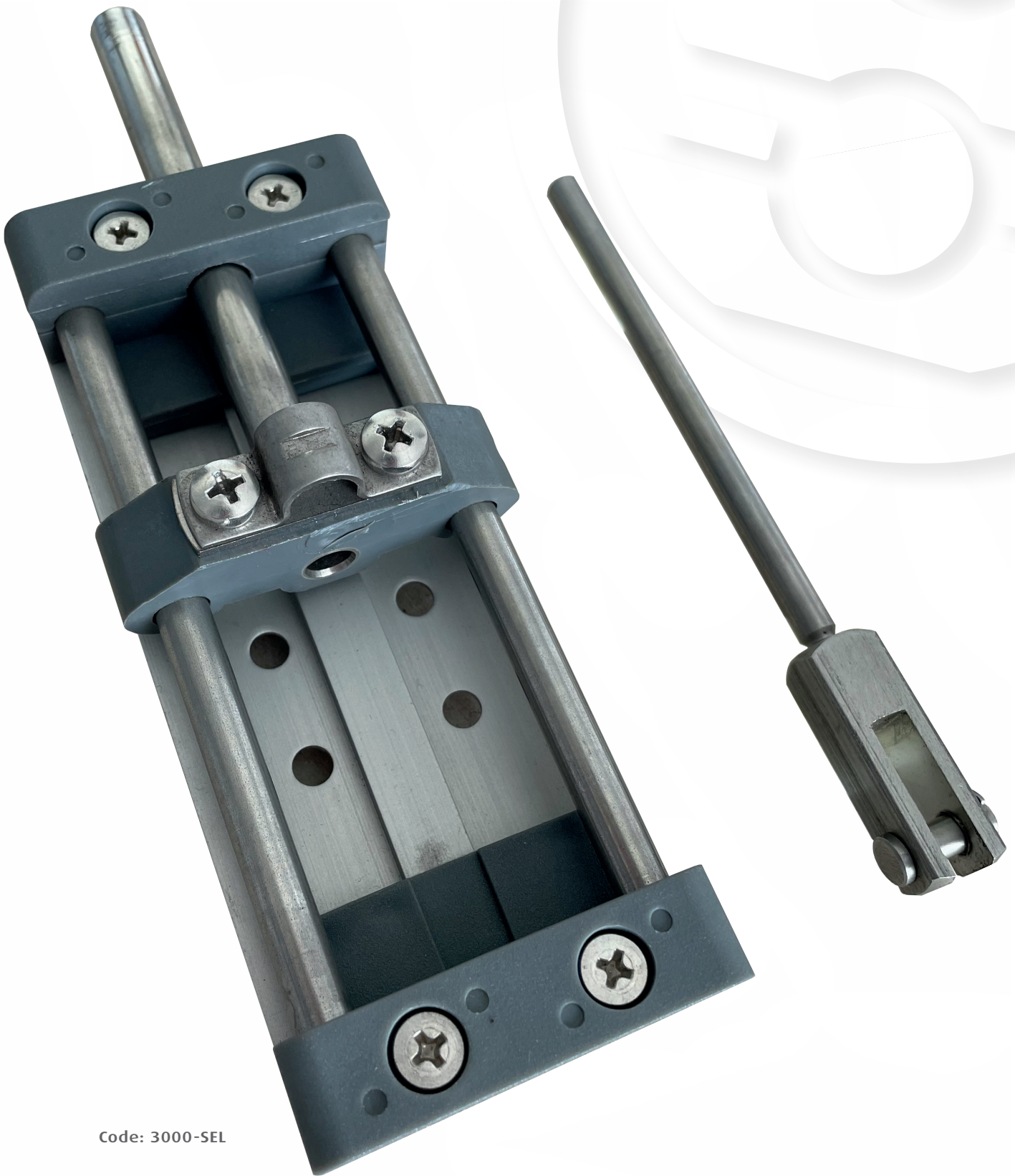


| Type of cable | R | Set Code (clamp + bracket + 2 screws + 2 nuts) |
|---------------|------|--|
| E2/E3 | 9,5 | 0-0099.11.06.01 |
| E4 | 12,5 | 0-0099.11.06.02 |



DUAL STATION SELECTOR

Combines the action of the single lever control from either of two command stations and provides a single output to the gearbox lever.



Code: 3000-SEL

Flexball Italiana S.r.l.

Via San Luigi 13/A - 10043 Orbassano (To) - Italy

Tel 0039.011 90.38.900 - Fax 0039.011 90.38.747

info@flexballitaliana.com

www.flexballitaliana.com

FLEXBALL
ITALIANA

WR CONTROLS GROUP

